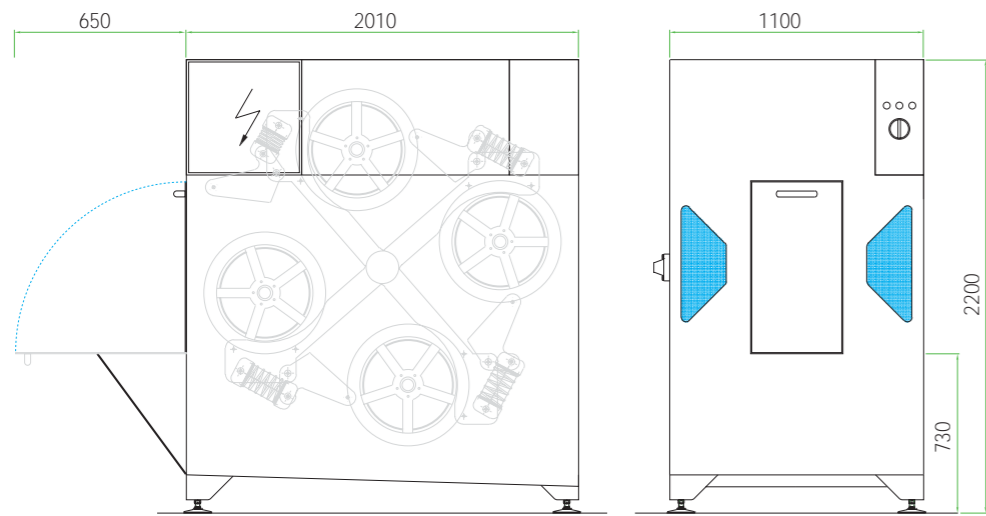


Technology for lowering personnel costs ...
 ... free up your company and your employees.



Technical information:

Width:	1100 mm
Depth:	2010 (2660) mm
Height:	2200 mm
Wash cycle:	2,5 ¹⁾ / 4,75 ²⁾ / 5,75 ³⁾ / 8,75 ⁴⁾ Min.
Wheel diameter:	530–800 mm
Wheel width:	155–305 mm
Spray system:	2x4 dynamic flat spray nozzles
Spray pressure:	max. 150 bar (Kärcher Aggregat)
Weight:	approx. 622 kg (approx. 520kg stainless steel)
Water:	approx. 9,4 l/wheel ^{1) 2) 3) 4)} / 18,8 l/Rad ⁴⁾
Rim cleaner:	approx. 0,09 l/wheel ^{2) 3) 4)}
Neutralization solution:	approx. 0,02 l/wheel ^{2) 3) 4)}

¹⁾ RINSE program information
²⁾ SHORT program information
³⁾ NORMAL program information
⁴⁾ SUPER program information



Options:

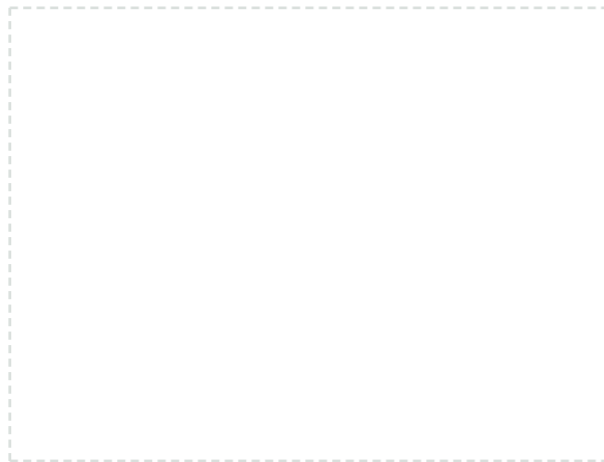
- Moisture-proof lamp
- Sound absorption hood for high-pressure unit

Electrical information:

Electrical connection:	400 V, 3 Phasen
Main drive:	0,37 kW
Control system:	Siemens SPS
	Speicher Programmierbare Steuerung
Cleaner pump:	92 W

Subject to errors and technical changes.

Your specialist dealer:



BIG 4-WHEEL WASHING SYSTEM

INNOVATION 2009



PERFORMTEC GMBH

Heinkelstrasse 7-9
 D-73230 Kirchheim
 Tel +49 (7021) 57149-0
 Fax +49 (7021) 57149-11
 vertrieb@performtec.de
 www.performtec.de

PERFORMTEC

PERFORMTEC

The **BIG 4-WHEEL** WASHING SYSTEM

sets a new standard in wheel size and wash results!

PATENTED

PERFORMTEC was the first company to develop a BIG 4-Wheel Washing System that fits into any workshop. The external dimensions are only 2,01 x 1,10 m. This system dimension revolutionizes wheel wash!



With the **BIG 4-Wheel Wash System** you optimize your work flow and the lower operating costs can be measured. That pays for itself!

- 4 wheels are cleaned fully automatically - in parallel
... only one, two or three wheels can also be washed
- workshop conform machine size (space required 2,01x1.10m)
- automatic waste water neutralization = a pollution-free wash method!
- consistent, excellent, automatic cleaning results
... now new with 8 dynamic flat spray nozzles
- combination of the proven chemical and high-pressure wash methods
... and with this method burned-on brake dust is really removed!
- aluminum as well as steel wheels also with plastic wheel covers can be washed
- all standard passenger car wheels also SUV- and Run-on-flat wheels can be cleaned
- no damage to the rim finish by mechanical wash components (e.g. plastic granules, brushes)
- always ready-to-use, no water change necessary
- extremely simple to maintain and wear resistant
- fulfills the German industrial safety guidelines
- Siemens PLC controlled (Programmable Logic Controller)
- four preset, fully automatic cleaning programs
 - Short: slightly dirty wheels
 - Normal: normal dirty wheels
 - Super: heavily soiled wheels
 - Rinse: only high pressure
- approx. 520 kg of stainless steel guarantee a long life

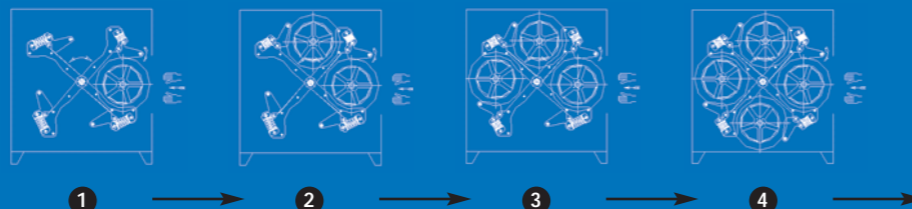
Our complete product portfolio

Modular wheel washing systems (1-Wheel Washer extensible up to 2-Wheel Washer) and 4-Wheel Washer are available only from Performtec!



Market leader with the proven chemical and high-pressure wash method!
Homologation from Daimler AG and BMW Service.

4 x is faster – is better!



1 → 2 → 3 → 4 →
Through the turnstile technology the 4-Wheel Wash System depreciates within 1-3 years!

... is tomorrow's wheel washing!

PERFORMTEC